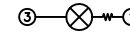
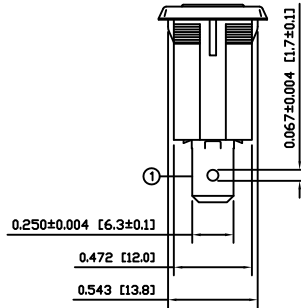
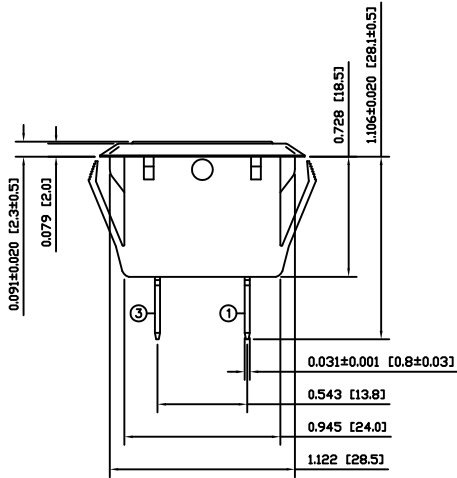
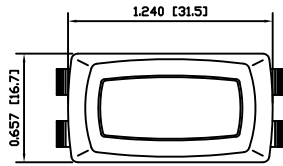


SCHEMATIC



SPECIFICATIONS

FUNCTION:
Signal Light
ILLUMINATION VOLTAGE:
250V
APPROVALS:
RoHS
COMPLIANT



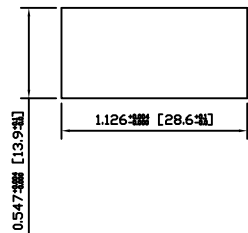
COLORS AND MARKINGS

BODY:
Black
ACTUATOR:
Transparent Green
MARKINGS:
None
MARKING COLOR:
None

MATERIALS

BODY:
Polyamide 6/6 (PA66), UL94 V-2
ACTUATOR:
Polycarbonate (PC), UL94 V-2
LAMP:
Neon Bulb
TERMINALS:
Silver Plated Brass

SUGGESTED PANEL CUTOUT



ACTUATOR	A	09/08/13	CAB
BODY	B	10/05/10	CAB
COLORS	A	09/08/13	CAB
MATERIALS	A	09/08/13	CAB
SPECIFICATIONS	A	10/01/27	CAB
REFERENCE	REV.	DATE	BY

THE INFORMATION CONTAINED IN THIS DOCUMENT IS PROPRIETARY TO E-SWITCH AND IS NOT TO BE COPIED OR TRANSFERRED

B	CHANGED TERMINAL LENGTH	19855	11/02/04	CAB
A	INITIAL RELEASE	18837	10/02/04	CAB
REV.	DESCRIPTION	PCR	DATE	DRAWN BY

DIMENSIONS	
INCHES [MILLIMETERS]	
GENERAL TOLERANCES	
±0.008 [±0.2] / ±1'	
SCALE	PROJECTION
DRAWING NOT TO SCALE	1st Angle

RSC14001000-137			
ITEM NUMBER	DATE	REVISION	
14-RSC14001000137	FEBRUARY 4, 2010	A	